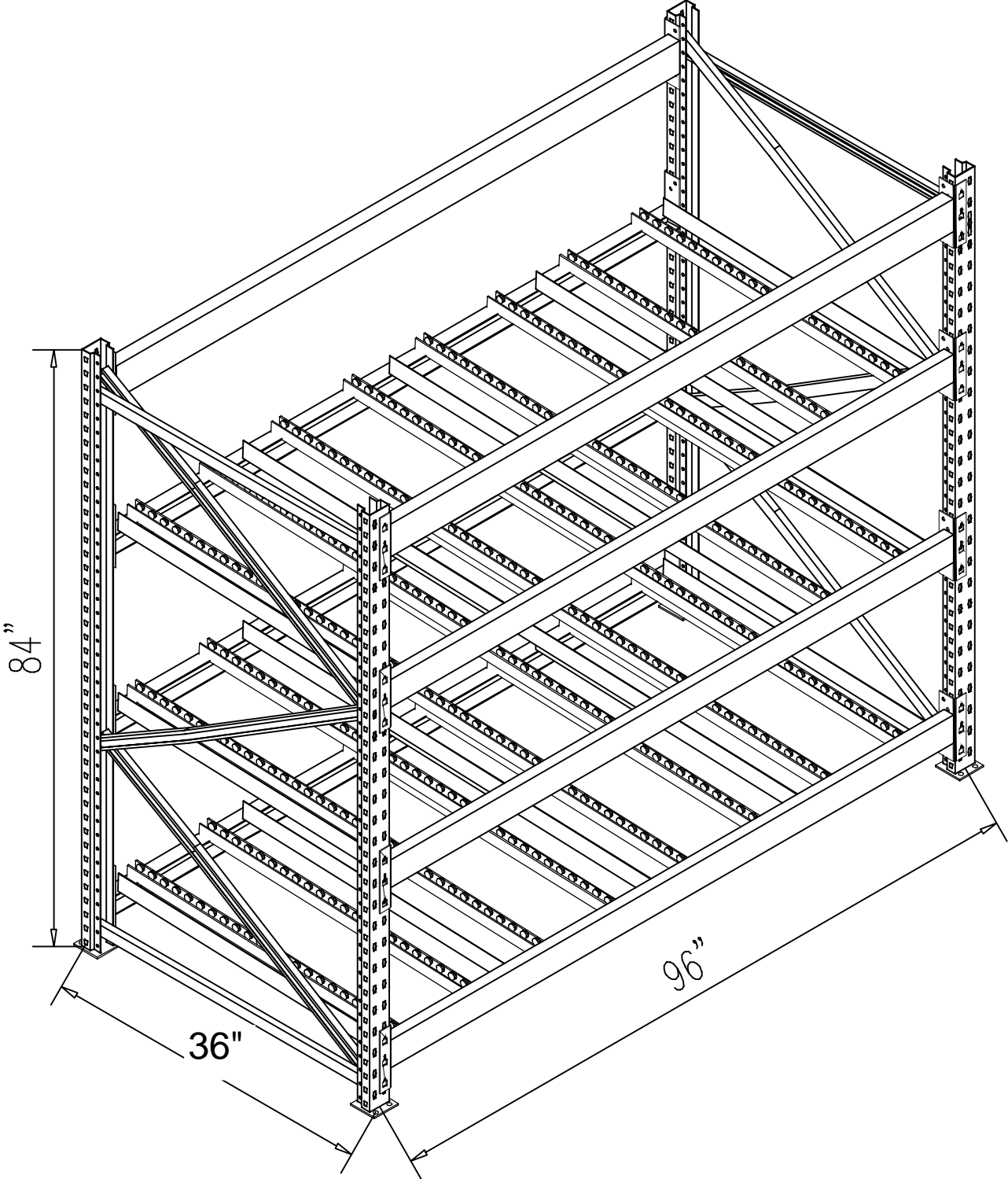
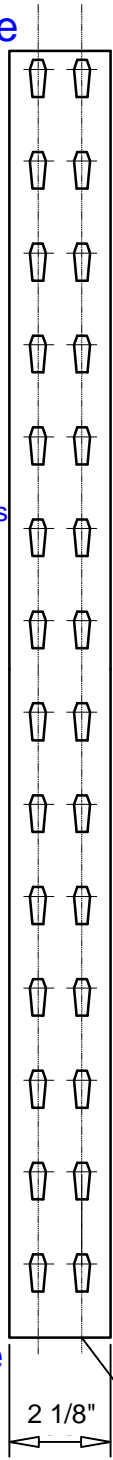
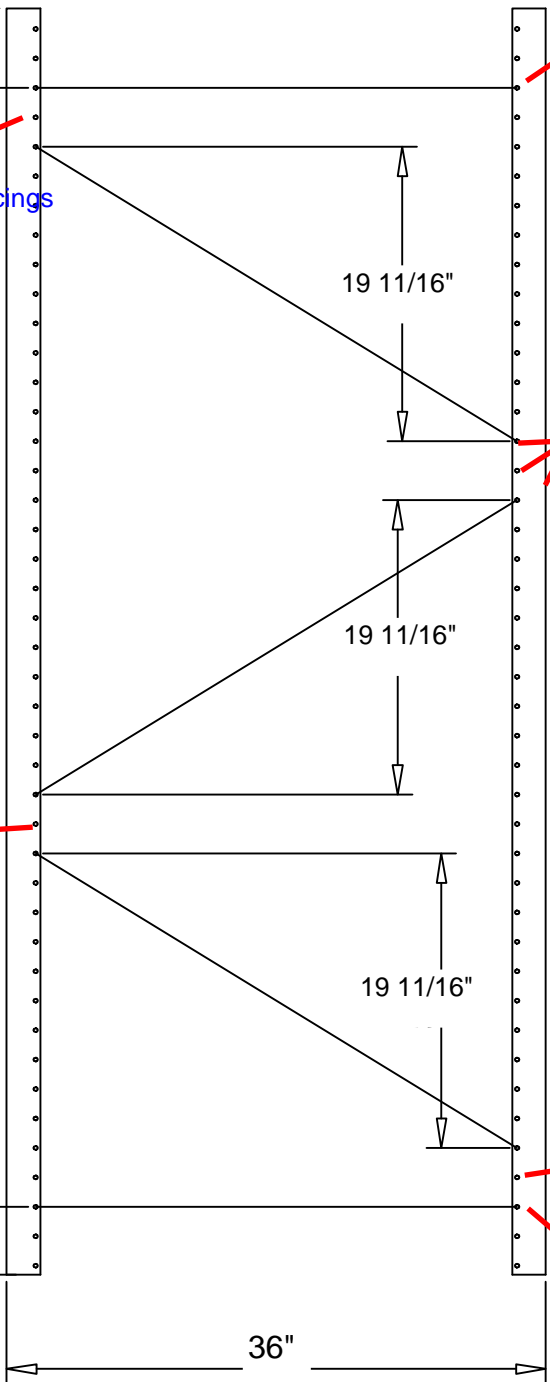
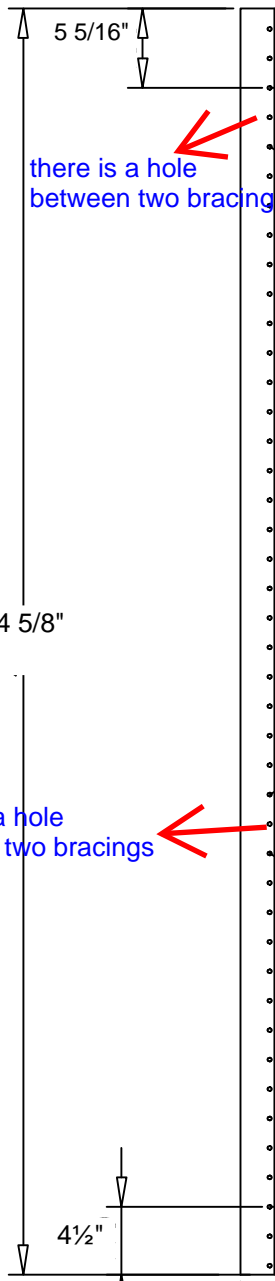
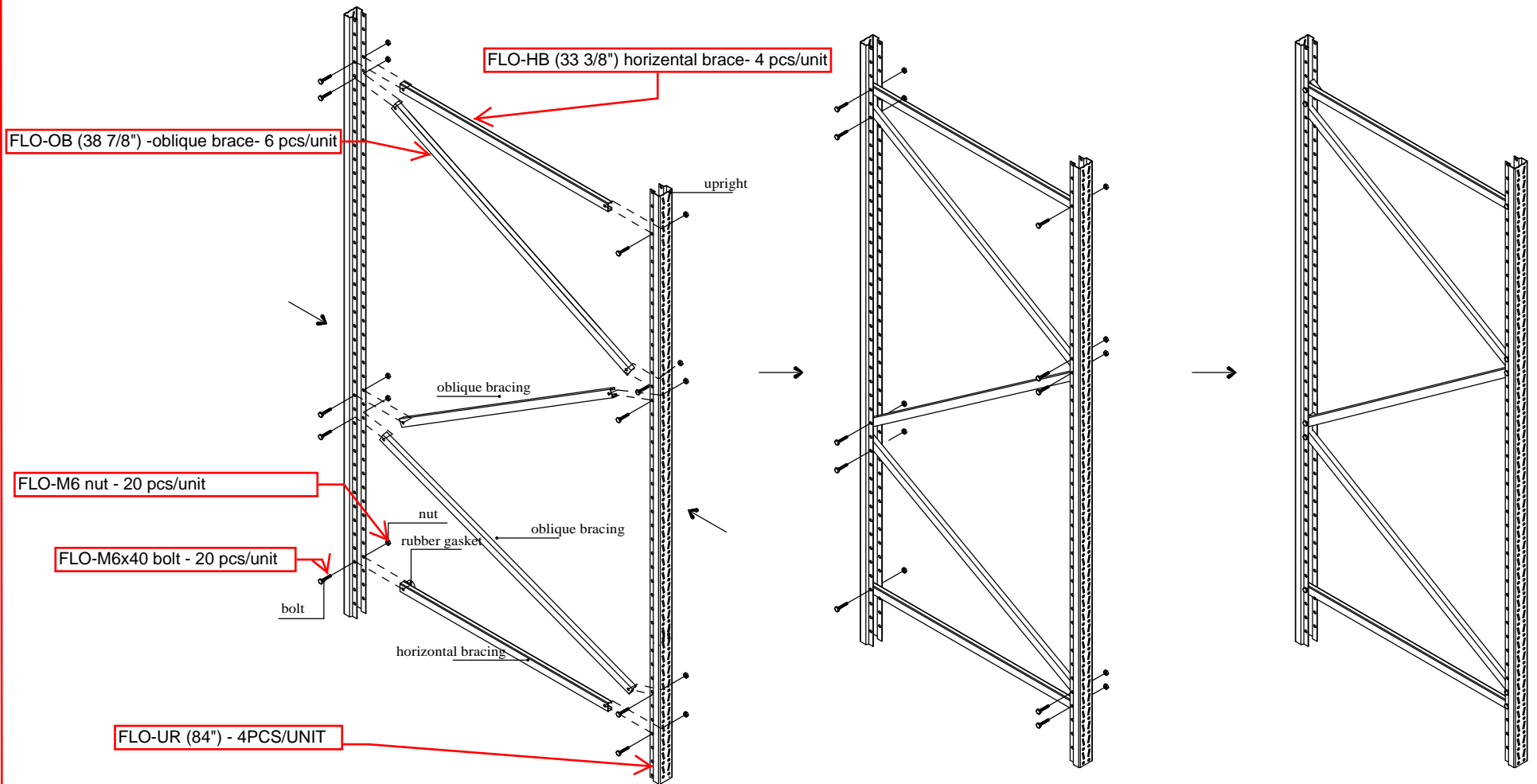
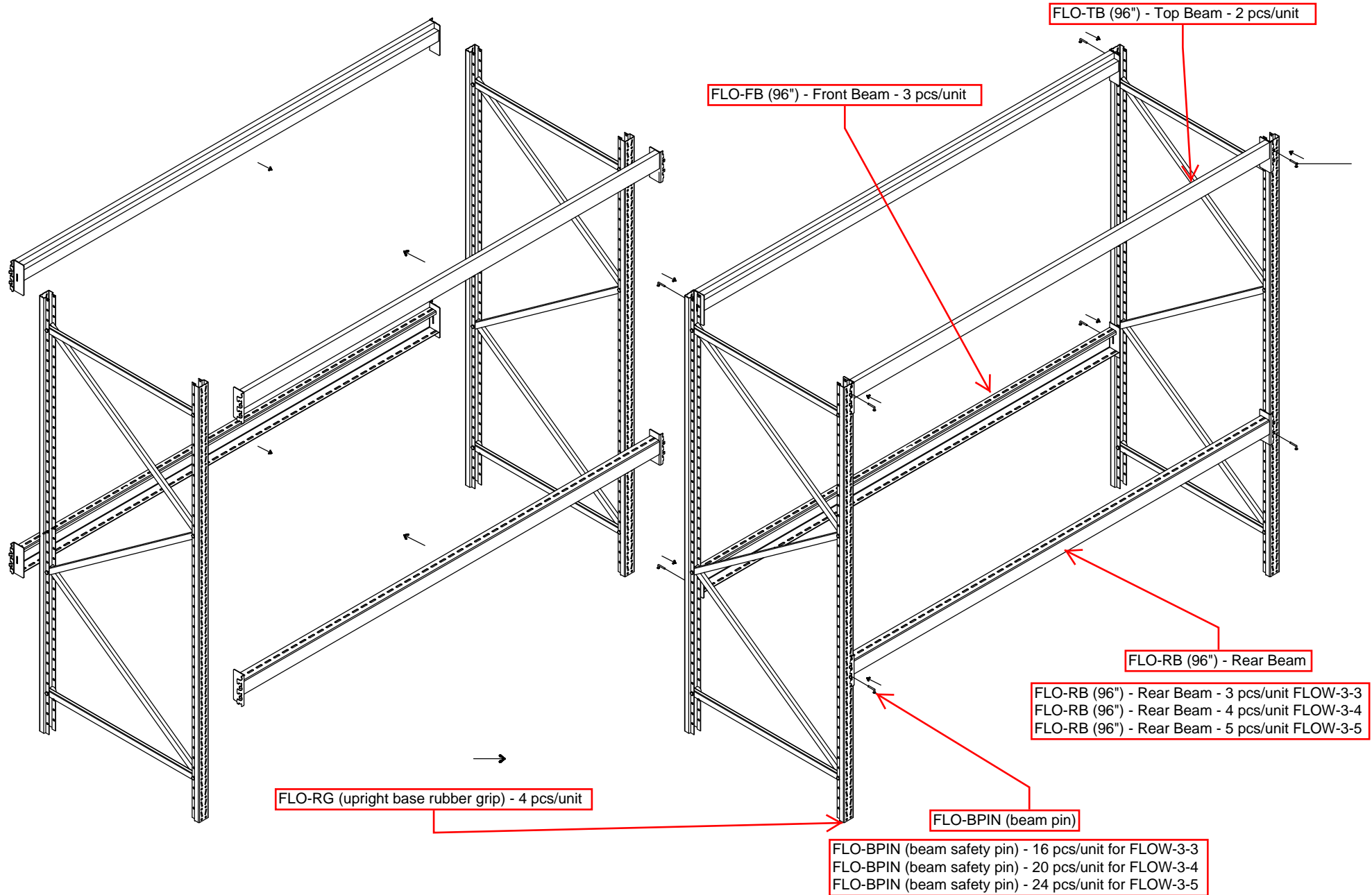


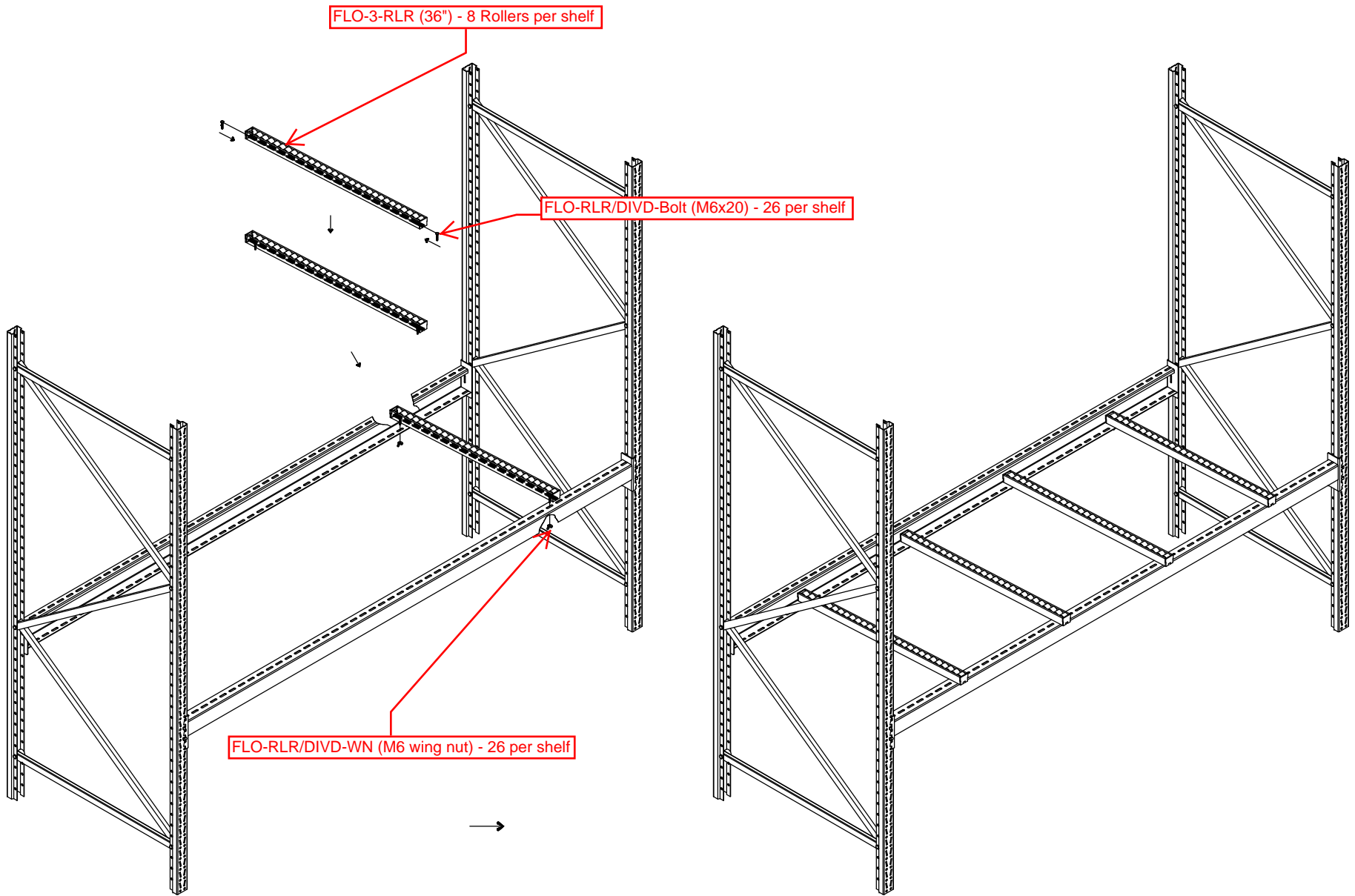
FLOW 3-3











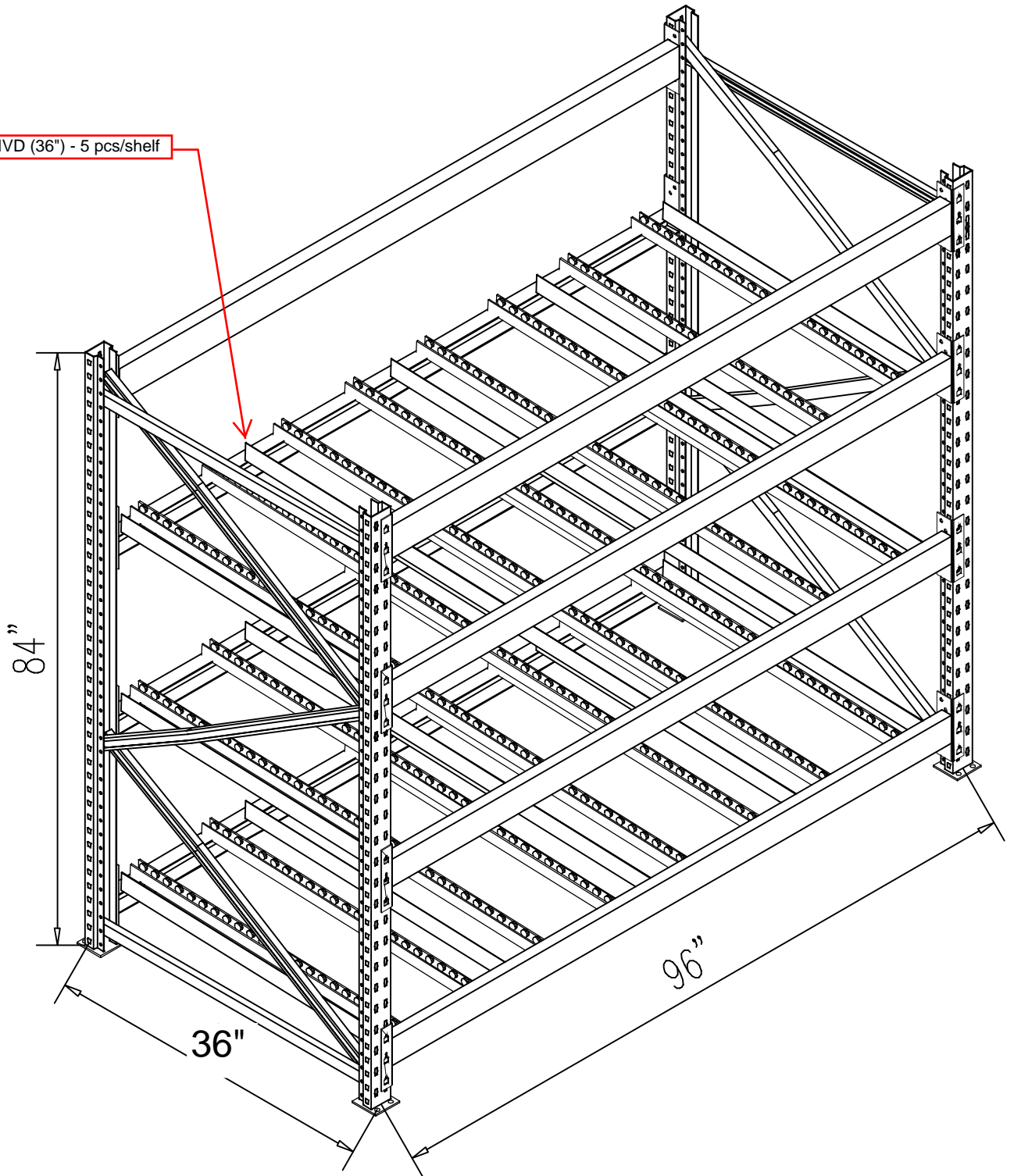
FLO-3-RLR (36") - 8 Rollers per shelf

FLO-RLR/DIVD-Bolt (M6x20) - 26 per shelf

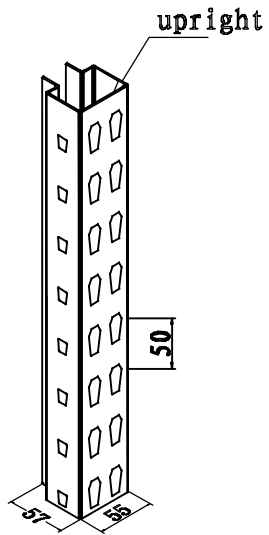
FLO-RLR/DIVD-WN (M6 wing nut) - 26 per shelf

- FLO-RLR/DIVD-Bolt (M6x20) - 78 pcs/unit for FLOW-3-3
- FLO-RLR/DIVD-Bolt (M6x20) - 104 pcs/unit for FLOW-3-4
- FLO-RLR/DIVD-Bolt (M6x20) - 130 pcs/unit for FLOW-3-5
- FLO-RLR/DIVD-WN (M6 wing nut) - 78 per unit for FLOW-3-3
- FLO-RLR/DIVD-WN (M6 wing nut) - 104 per unit for FLOW-3-4
- FLO-RLR/DIVD-WN (M6 wing nut) - 130 per unit for FLOW-3-5

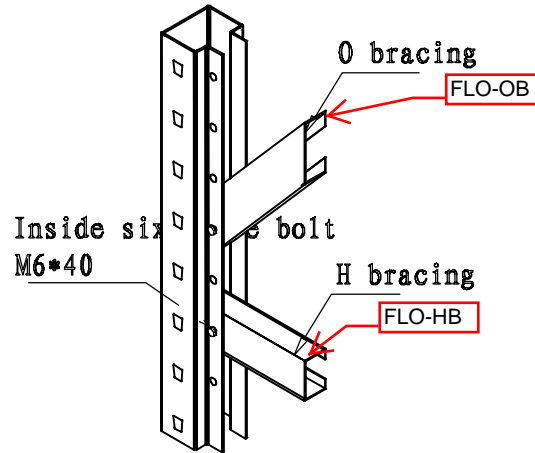
FLO-3-DIVD (36") - 5 pcs/shelf



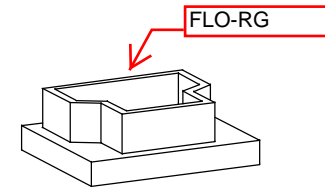
SECTION DRAWING



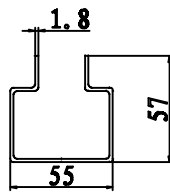
Upright



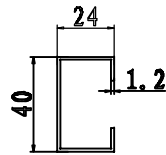
Upright & Bracings



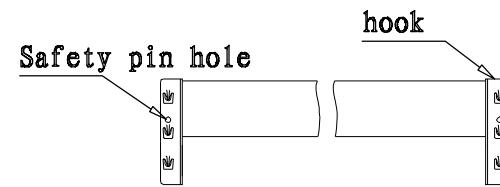
Plastic feet



Upright section



Bracing section



Beam & Hook

FLOW-3-3 PARTS LIST

| PART # | DESCRIPTION | QTY. |
|----------------|---|-------------|
| FLO-4-HB | 33 ³ / ₈ " Long Horizontal Brace | 4/UNIT |
| FLO-4-OB | 38 ⁷ / ₈ " Long Oblique Brace | 4/UNIT |
| FLO-HB/OB-BOLT | BOLT, M6-1.0X40 | 20/UNIT |
| FLO-HB/OB-NUT | NUT, M6-1.0 | 20/UNIT |
| FLO-UR | 84", UPRIGHT | 4/UNIT |
| FLO-FB | 96", FRONT BEAM | 3/UNIT |
| FLO-RB | 96", REAR BEAM | 3/UNIT |
| FLO-TB | 96", TOP BEAM | 2/UNIT |
| FLO-RG | UPRIGHT BASE RUBBER GRIP | 4/UNIT |
| FLO-BPIN | BEAM SAFETY PIN (4 PER SHELF) | 16/UNIT |
| FLO-4-RLR | Replacement Roller 36" with hardware | 8/SHELF |
| FLO-4-DIVD | Replacement Divider 36" with hardware | 5/SHELF |
| FLO-RLR-HDW | Hardware To Attach Roller (M6-1.0 x 20 bolts & wing nuts) | 2/ROLLER |
| FLO-DIVD-HDW | Hardware To Attach Divider (M6-1.0 x 20 bolts & wing nuts) | 2/DIVIDER |